

Temperature Compensated Crystal Oscillator

YSO512ET High Precision-TCXO



Applications

- High-Precision Intelligent Electronic Devices

Features

- Frequency Stability as Tight as ± 0.1 ppm Over -40°C to 85°C
- Wide Frequency Range
- Package Size : 5.0*3.2, 7.0*5.0mm



Specifications (规格参数)

Item/Type	Clipped Sine wave or CMOS	
Package Size 封装尺寸	5.0 x 3.2; 7.0 x 5.0	
Frequency Range 额定频率范围	10, 12, 12.8, 19.2, 20, 24.576, 25, 30, 32, 40, 48, 50MHz, or specify	
Supply Voltage 电源电压	3.3V, or specify	
Frequency Tolerance at 25°C 常温频率偏差	± 1 ppm, or specify	
Frequency Stability 频率偏差	vs Aging at Ta = +25°C	± 1.0 ppm / year (max.)
	vs Voltage Change	± 0.2 ppm (max.), for a $\pm 5\%$ input voltage change.
	vs Load Change	± 0.2 ppm (max.), for a $\pm 10\%$ load condition change.
	vs Temperature Change	± 0.1 ppm / ± 0.28 ppm, or specify
Operating Temperature Range 工作温度	-40~+85°C, or specify	
Storage Temperature Range 存储温度	-55°C to +125°C	
Output Type 输出特性	Clipped Sine wave	CMOS
Current Consumption (max.) 消耗电流	15mA (max.)	
Rise Time & Fall Time 上升沿/下降沿	-	6nsec. (max.)
Output Voltage High "1" 输出高电压	-	2.4V (min.)
Output Voltage Low "0" 输出低电压	-	0.4V (max.)
Output Voltage Level (peak to peak) 输出电压电平 (峰峰值)	0.8V (min.)	
Duty Cycle at 50% \pm 5% output swing 50% \pm 5%输出摆幅下的占空比	45 ~ 55%	
Start-up Time 启动时间	10msec. (max.)	
Output Load 输出负载	10K Ω // 10pF	15pF
Phase Noise@10MHZ 相位噪声	-150dBc / Hz @1KHz (Min.)	

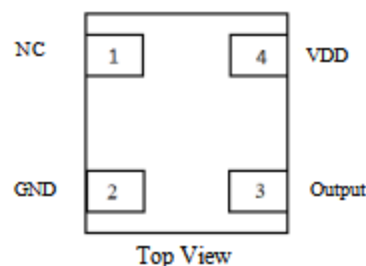
Pin Description (脚位说明)

Pin	#1	#2	#3	#4
FUNCTION	No Connection	Ground	Output	Supply Voltage

Notes:

1. Please keep the NC pin floating during use. Do not connect it to any network (power, ground, or signal).
2. The provided pinout is for reference purposes only. The definitive material specification document must be obtained by contacting a sales representative.

Pin Assignments

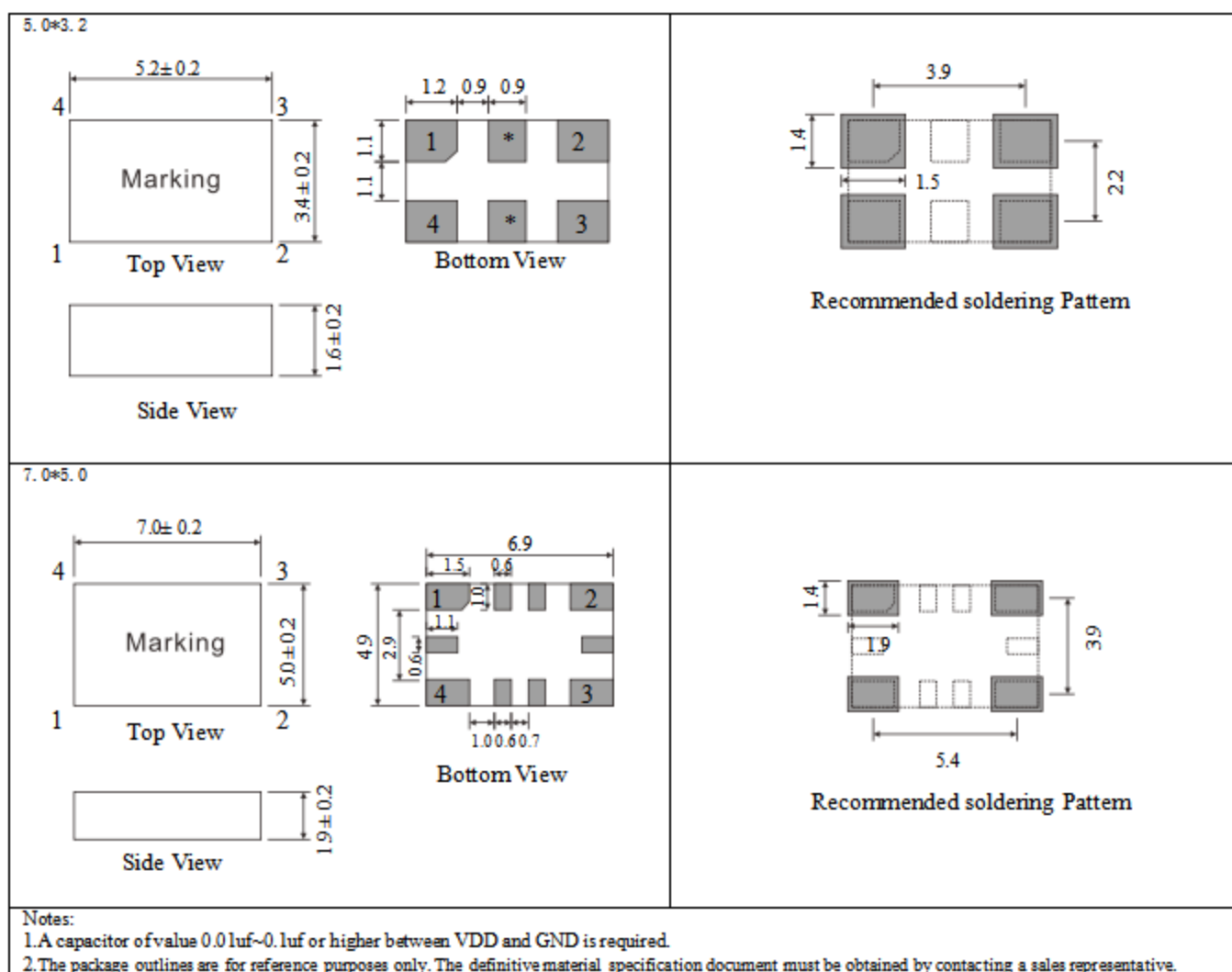


Temperature Compensated Crystal Oscillator

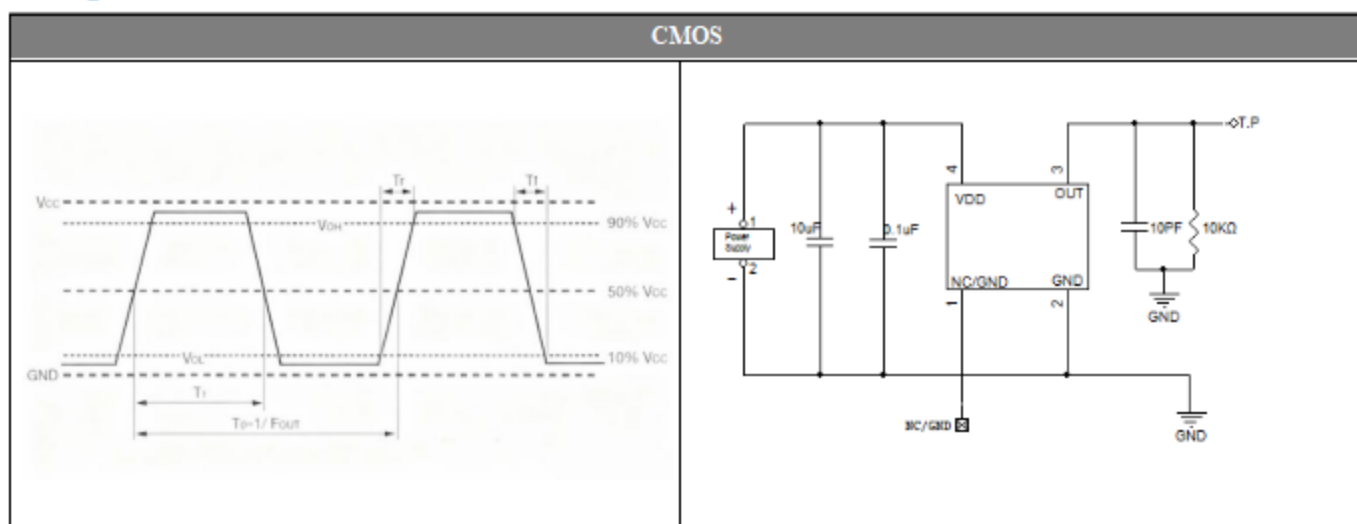
YSO512ET High Precision-TCXO



Dimensions and Recommended Land Pattern (外观尺寸及推荐焊盘)



Output Waveform and Test Circuit (输出波形和测试电路)



Temperature Compensated Crystal Oscillator

YSO512ET High Precision-TCXO



Clipped Sine Wave

